

Water Specialist 2.0" Plastic Motorized Alternating Valve

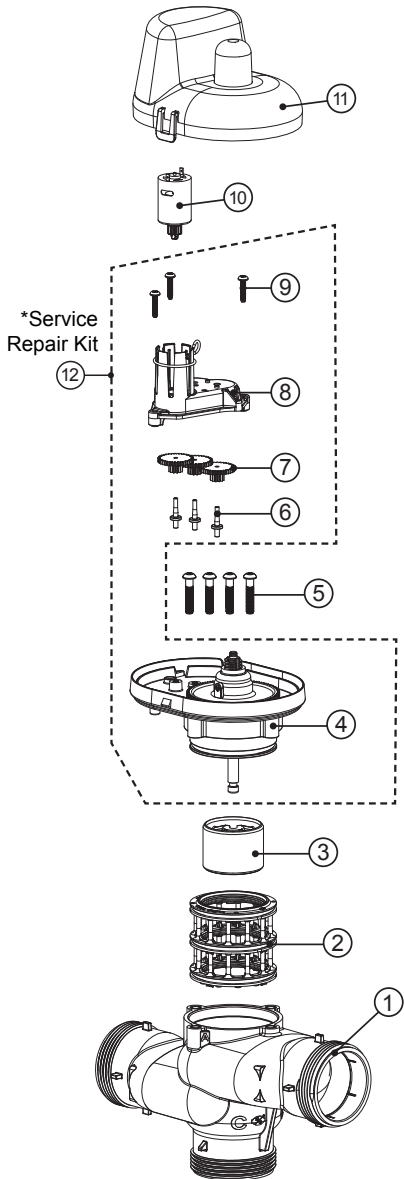


- Fiber Reinforced Composite Material
- Allows for twin alternating system setup
- Full assortment of WS2P fitting kits available
- Hydraulically balanced piston valve
- Can be used on a single unit for clean water source regeneration
- Proven and reliable Clack DC drive assembly
- Low voltage drive controlled by valve's circuit board
- Flow from port "A" to Common
125 gpm at 4.8 psi drop (Cv 56.7)
- Flow from port "B" to Common
125 gpm at 3.3 psi drop (Cv 69.3)
- Operating Pressures:
20 psi (1.38 bar) Minimum
125 psi (8.6 bar) Maximum
- Operating Temperatures:
40°F (4.4°C) Minimum
110°F (43.3°) Maximum



Order No. V3036 • Description: WS2 PLASTIC MAV ASSY

Drawing No.	Order No.	Description	Quantity
1	V4474	WS2 PLASTIC MAV BODY ASSY	1
2	V3077	WS2 MAV STACK ASSEMBLY	1
3	V3634-01	WS2 MAV, STRAIGHT PISTON, COATED	1
4	V3078	WS2 MAV/NHWBP DRIVE CAP ASSY	1
5	V3642	1/4-20 x 1.25 BHCS	4
6	V3264	WS2 BYPASS REDUCTION GEAR AXEL	3
7	V3110	WS1 DRIVE GEAR 12X36 PLAIN	1
8	V3262	WS AUX VALVE REDUCTION GEAR COVER	1
9	V3592	#8 X 3/4, PHPN T-25, SS	3
10	V3476	WS DRIVE MOTOR, FERRITE CORE HARNESS, 96"	1
11	V3073	DRIVE COVER ASSEMBLY	1
*12	V3043	WS2 MAV & NHWB SERVICE PACK	1
NOT SHOWN	V3474	WS ALT CONNECT CORD 8FT BLK	1



•Operating Pressures:
 20 PSI Minimum / 125 PSI Maximum
•Operating Temperatures:
 40°F Minimum / 110°F Maximum

