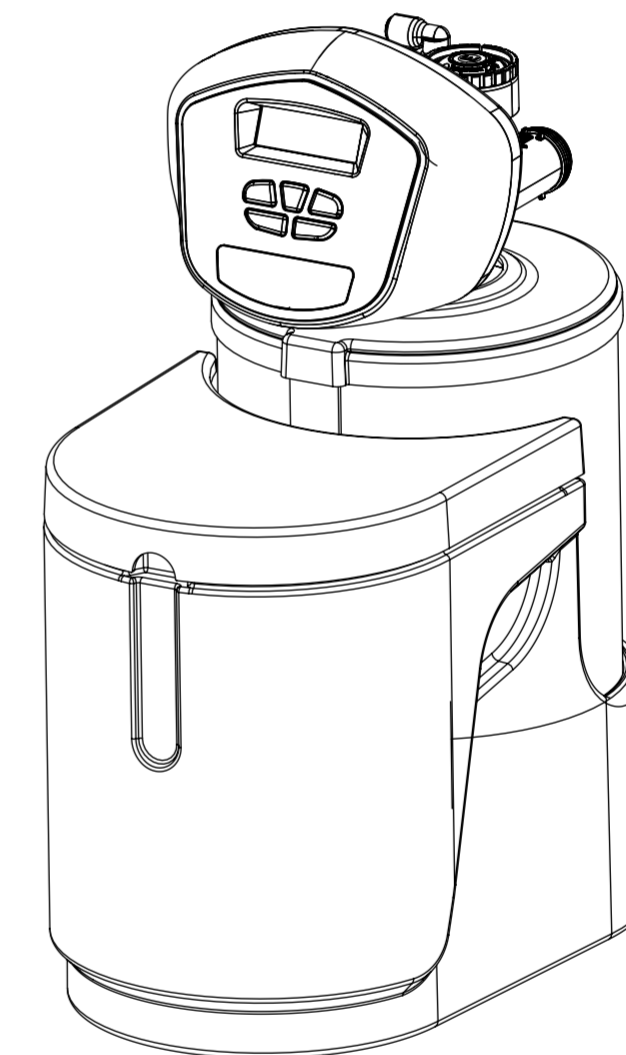


Remarks
 BRINE TANK :
 Material : LLDEP
 Thickness : ±4 mm
 Colour : To be defined
 Finish : Sand blasted mould

BRINE LID + TOP PART
 Material : ABS/PMMA
 Thickness : 5mm starting thickness
 Colour : Black
 Finish : high gloss

No burrs allowed
 Avoid warpage



12	VW_10X17_M07_3D_0.04	1
11	VW_WATER_RIGHT_PRIVATE_LABEL	1
10	CANATURE_10X17_M02_3D_0.04	1
9	VW_10X17_BRINE_TANK_M02_3D_0.04	1
8	CANATURE_10X35_BOTTOM_PART_1_M02_3D_0.01	1
7	INSERT_M4_M02_3D_0.004	2
6	VW_BRINE_LID_M02_3D_0.04	1
5	VW_10X17_SS_SLEEVE_M02_3D_0.04	1
4	VW_10_TOP_PART_M02_3D_0.05	1
3	VW_10X17_SS_BRACKET_M02_3D_0.05	1
2	SCREW_DIN965_M4_L10_TX_SS_WH	2
1	VW_10X17_BRINE_WELL_M02_3D_0.04	1
PC NO	PART NAME	QTY

0.04		Original drawing - ready for approval for production		15/05/18	L-stin
Revision	ECN-nr	Remarks - description		Date	Name
Linear tolerances	Surface roughness	Shape and positioning tolerances	Bend tolerances	Finishing See remarks	
Drawing name				Material See remarks	
Vision Water 10 x 17" VW_10x17_M07_2D_0.04				Sheet	1 of 1
				Scale	1 : 1
Drawn by	Name	Date	Drawing number	Format	A2
Approved by	APPROVED BY	DATE_APPROVED	unit : MM	POLLET WATER GROUP N.V. Textielstraat 13 8790 Waregem T: +32 56 78 20 57	
All rights reserved. No parts of this concept may be reproduced in any form or by any means without the prior written permission of Pollet Water Group N.V.					