



Application

- Can be used to transfer clean water or other liquids similar to water in physical and chemical properties
- Suitable for lifting water from the well, sprinkling irrigation in garden, pressure boosting of running water, and supporting equipment etc.

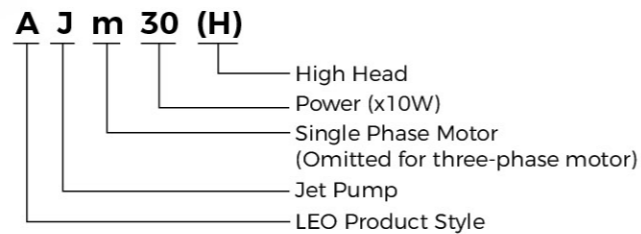
Pump

- Cast iron pump body and support under special anti-rust treatment
- Stainless steel impeller
- AISI 304 shaft
- Max. liquid temperature: +60°C
- Max. suction: +9 m

Motor

- Low noise&Long life bearing
- Motor with copper winding
- Built-in thermal protector for single phase motor
- Insulation class: F
- Enclosures class: IPX4
- Max.ambient temperature: +50 °C

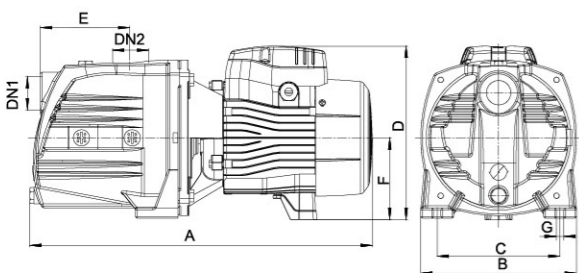
Identification Codes



Technical Data

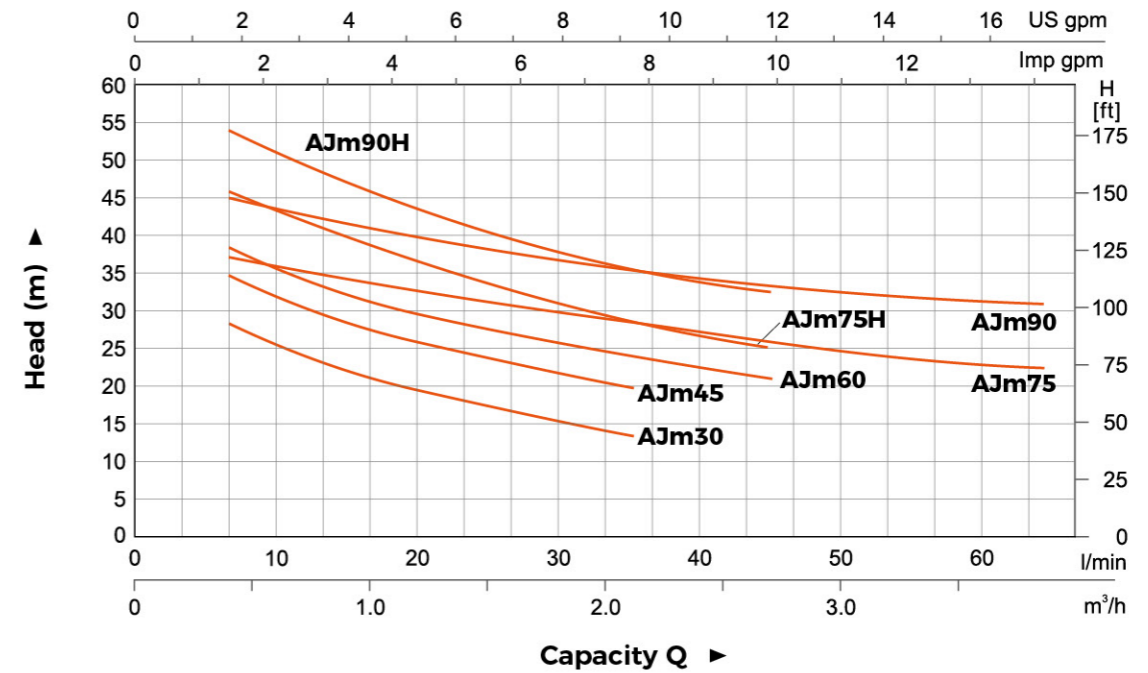
| Model | Power | | Q(m ³ /h) | Q(l/min) | | | | | | | | | | | | | | | |
|--------|-------|-----|----------------------|----------|-----|-----|------|-----|------|-----|-----|------|-----|----|-----|-----|-----|--|--|
| | kW | HP | | 0 | 0.3 | 0.6 | 0.9 | 1.2 | 1.5 | 1.8 | 2.1 | 2.4 | 2.8 | 3 | 3.3 | 3.6 | 3.9 | | |
| AJm30 | 0.3 | 0.4 | H (m) | 33 | 30 | 26 | 22.5 | 20 | 18 | 16 | 14 | - | - | - | - | - | - | | |
| AJm45 | 0.45 | 0.6 | | 38 | 36 | 32 | 28 | 25 | 22 | 20 | 18 | - | - | - | - | - | - | | |
| AJm60 | 0.6 | 0.8 | | 44 | 41 | 37 | 33.5 | 31 | 28.5 | 26 | 24 | 22.5 | 21 | - | - | - | - | | |
| AJm75 | 0.75 | 1.0 | | 40 | 38 | 36 | 34.5 | 33 | 31.5 | 30 | 29 | 28 | 27 | 26 | 25 | 24 | 23 | | |
| AJm75H | 0.75 | 1.0 | | 50 | 47 | 43 | 40 | 37 | 34.5 | 32 | 30 | 27.5 | 25 | - | - | - | - | | |
| AJm90 | 0.9 | 1.2 | | 48 | 46 | 44 | 42.5 | 41 | 39.5 | 38 | 36 | 35 | 34 | 33 | 32 | 31 | 30 | | |
| AJm90H | 0.9 | 1.2 | | 60 | 57 | 53 | 49 | 46 | 43 | 40 | 37 | 35 | 33 | - | - | - | - | | |

Dimension



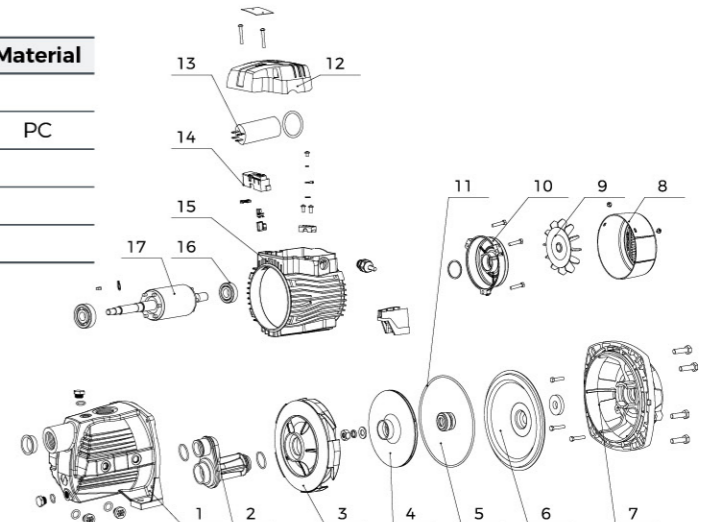
| Model | DN1 | DN2 | A (mm) | B (mm) | C (mm) | D (mm) | E (mm) | F (mm) | G (mm) |
|--------|-----|-----|----------|--------|--------|--------|----------|--------|--------|
| AJm30 | 1" | 1" | 351 | 160 | 125 | 182 | 90 | 90 | 10 |
| AJm45 | | | 351(377) | 160 | 125 | 182 | 90(125) | 90 | 10 |
| AJm60 | | | 418(437) | 190 | 150 | 213 | 114(145) | 100 | 10 |
| AJm75 | | | 418 | 190 | 150 | 213 | 114 | 100 | 10 |
| AJm75H | | | 418(437) | 190 | 150 | 213 | 114(145) | 100 | 10 |
| AJm90 | | | 418 | 190 | 150 | 213 | 114 | 100 | 10 |
| AJm90H | | | 418(437) | 190 | 105 | 213 | 114(145) | 100 | 10 |

Hydraulic Performance Curves



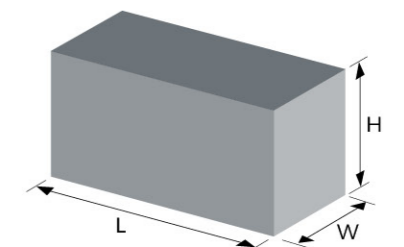
Material Table

| No. | Part | Material | No. | Part | Material |
|-----|--------------------|----------|-----|----------------------|----------|
| 1 | Pump body | HT200 | 13 | Capacitor | |
| 2 | Interval channel | PP-GF30 | 14 | Wiring base assembly | PC |
| 3 | Water outlet cover | PP-GF30 | 15 | Stator | |
| 4 | Impeller | PP-GF30 | 16 | Bearing | |
| 5 | Mechanical seal | | 17 | Rotor | |
| 6 | Bracket cover | AISI304 | | | |
| 7 | Bracket | ADC12 | | | |
| 8 | Fan cover | PP | | | |
| 9 | Fan | PP-GF10 | | | |
| 10 | End plate | ADC12 | | | |
| 11 | O-ring | NBR | | | |
| 12 | Cover box | PP-GF20 | | | |



Package Information

| Model | GW (Kgs) | L (mm) | W (mm) | H (mm) | Quantity (PCS/20'TEU) |
|--------|----------|--------|--------|--------|-----------------------|
| AJm30 | 8.5 | 390 | 185 | 215 | 1740 |
| AJm45 | 9.5 | 390 | 185 | 215 | 1740 |
| AJm60 | 13.9 | 455 | 215 | 245 | 1170 |
| AJm75 | 15 | 455 | 215 | 245 | 1170 |
| AJm75H | 15 | 455 | 215 | 245 | 1170 |
| AJm90 | 16 | 455 | 215 | 245 | 1170 |
| AJm90H | 16 | 455 | 215 | 245 | 1170 |





Application

- Can be used to transfer clean water or other liquids similar to water in physical and chemical properties
- Suitable for lifting water from the well, sprinkling irrigation in garden, pressure boosting of running water, and supporting equipment etc.

Pump

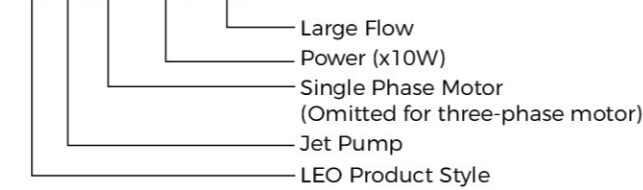
- Cast iron pump body and support under special anti-rust treatment
- Stainless steel impeller
- AISI 304 shaft
- Max. liquid temperature: +60°C
- Max. suction: +9 m

Motor

- Low noise&Long life bearing
- Motor with copper winding
- Built-in thermal protector for single phase motor
- Insulation class: F
- Enclosures class: IPX4
- Max.ambient temperature: +50 °C

Identification Codes

A J m 110 (L)

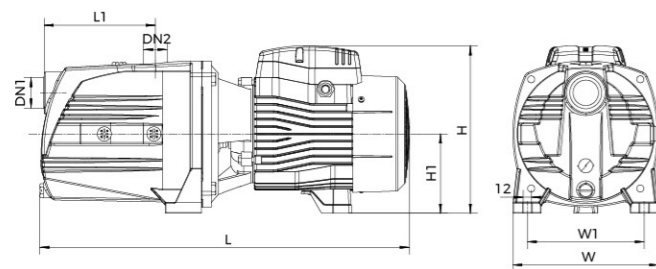


Technical Data

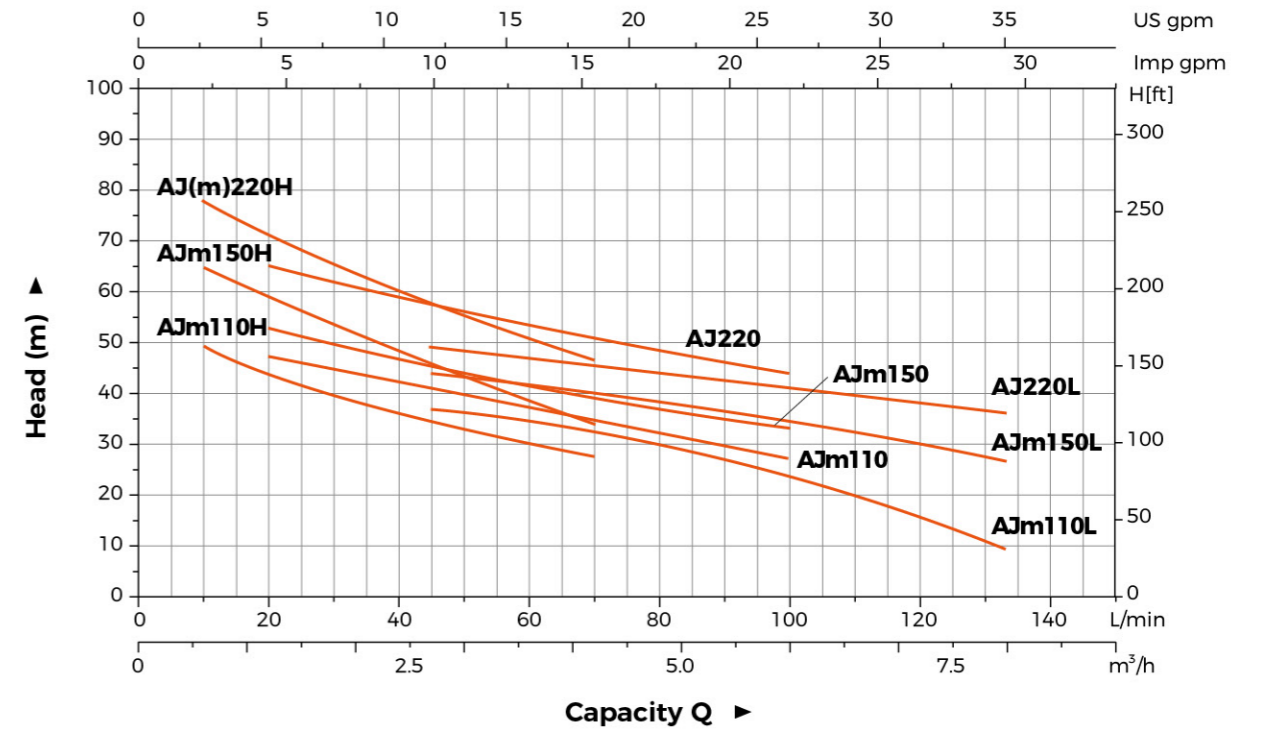
| Model | Power | | Q(m³/h) | Q(l/min) | | | | | | | | | | | | | | | | |
|-----------|-------|-----|---------|----------|------|-----|-----|------|-----|------|------|------|----|------|-----|-----|-----|-----|-----|--|
| | kW | HP | | 0 | 0.6 | 0.9 | 1.2 | 1.5 | 1.8 | 2.1 | 2.4 | 2.7 | 3 | 3.6 | 4.2 | 4.8 | 6.0 | 7.5 | 8.4 | |
| AJm110H | 1.1 | 1.5 | H (m) | 60 | 50 | 46 | 44 | 42 | 40 | 38 | 36 | 34 | 32 | 30 | 28 | - | - | - | - | |
| AJm150H | 1.5 | 2 | | 72 | 65 | 61 | 59 | 57 | 54 | 51 | 48 | 45 | 43 | 39 | 34 | - | - | - | - | |
| AJ(m)220H | 2.2 | 3 | | 85 | 78 | 75 | 71 | 68 | 65 | 63 | 60 | 57.5 | 55 | 51.5 | 46 | - | - | - | - | |
| AJm110 | 1.1 | 1.5 | | 55 | 52 | 49 | 48 | 46 | 45 | 43 | 42 | 41 | 40 | 37 | 35 | 33 | 27 | - | - | |
| AJm150 | 1.5 | 2 | | 60 | 56 | 55 | 53 | 52 | 49 | 48 | 46 | 45 | 44 | 42 | 40 | 36 | 33 | - | - | |
| AJ220 | 2.2 | 3 | | 68 | 67.5 | 67 | 66 | 65 | 63 | 61 | 59 | 57 | 56 | 54 | 51 | 48 | 44 | - | - | |
| AJm110L | 1.1 | 1.5 | | 47 | 45 | 44 | 43 | 42 | 41 | 40 | 39 | 38 | 36 | 34 | 32 | 30 | 24 | 17 | 9 | |
| AJm150L | 1.5 | 2 | | 54 | 53 | 52 | 51 | 49 | 48 | 46 | 45 | 44 | 43 | 42 | 39 | 38 | 34 | 31 | 26 | |
| AJ220L | 2.2 | 3 | | 55 | 54 | 53 | 52 | 51.5 | 51 | 50.5 | 49.5 | 49 | 48 | 47 | 45 | 44 | 41 | 38 | 36 | |

Dimension

| Model | DN1 | DN2 | L (mm) | W (mm) | H (mm) | L1 (mm) | W1 (mm) | H1 (mm) |
|-----------|--------|--------|--------|--------|--------|---------|---------|---------|
| AJm110H | 1 1/4" | 1 1/4" | 512 | 206 | 236 | 153 | 165 | 112 |
| AJm150H | | | 512 | 206 | 236 | 153 | 165 | 112 |
| AJ(m)220H | | | 512 | 206 | 236 | 153 | 165 | 112 |
| AJm110 | | | 512 | 206 | 236 | 153 | 165 | 112 |
| AJm150 | 1 1/2" | 1 1/2" | 512 | 206 | 236 | 153 | 165 | 112 |
| AJ220 | | | 512 | 206 | 236 | 153 | 165 | 112 |
| AJm110L | | | 512 | 206 | 236 | 153 | 165 | 112 |
| AJm150L | | | 512 | 206 | 236 | 153 | 165 | 112 |
| AJ220L | 512 | 206 | 236 | 153 | 165 | 112 | | |

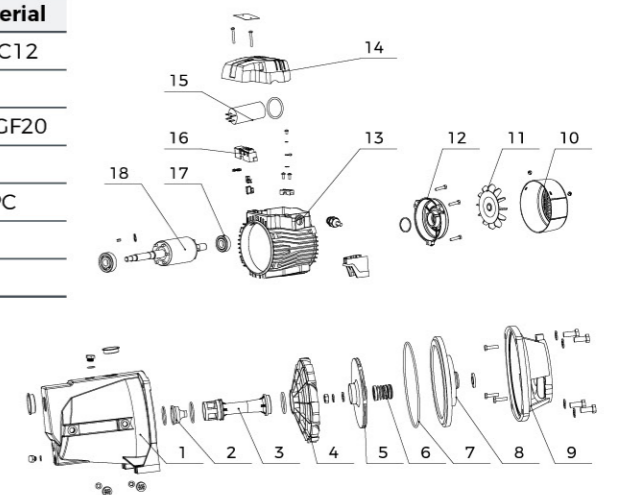


Hydraulic Performance Curves



Material Table

| No. | Part | Material | No. | Part | Material |
|-----|--------------------|----------|-----|----------------------|----------|
| 1 | Pump body | HT200 | 12 | End plate | ADC12 |
| 2 | Nozzle | PP-GF30 | 13 | Stator | |
| 3 | Lance tube | PP-GF30 | 14 | Cover box | PP-GF20 |
| 4 | Water outlet cover | PP-GF30 | 15 | Capacitor | |
| 5 | Impeller | PP-GF30 | 16 | Wiring base assembly | PC |
| 6 | Mechanical seal | | 17 | Bearing | |
| 7 | O-ring | NBR | 18 | Rotor | |
| 80 | Bracket cover | HT200 | | | |
| 9 | Bracket | ADC12 | | | |
| 10 | Fan cover | PP | | | |
| 11 | Fan | PP-GF10 | | | |



Package Information

| Model | GW (Kgs) | L (mm) | W (mm) | H (mm) | Quantity (PCS/20'TEU) |
|-----------|----------|--------|--------|--------|-----------------------|
| AJm110 | 24.5 | 572 | 225 | 259 | 816 |
| AJm110H | 24.5 | 572 | 225 | 259 | 816 |
| AJm110L | 24.5 | 572 | 225 | 259 | 816 |
| AJm150 | 25.4 | 572 | 225 | 259 | 816 |
| AJm150H | 25.4 | 572 | 225 | 259 | 816 |
| AJm150L | 25.4 | 572 | 225 | 259 | 816 |
| AJ(m)220H | 26.0 | 572 | 225 | 259 | 816 |

