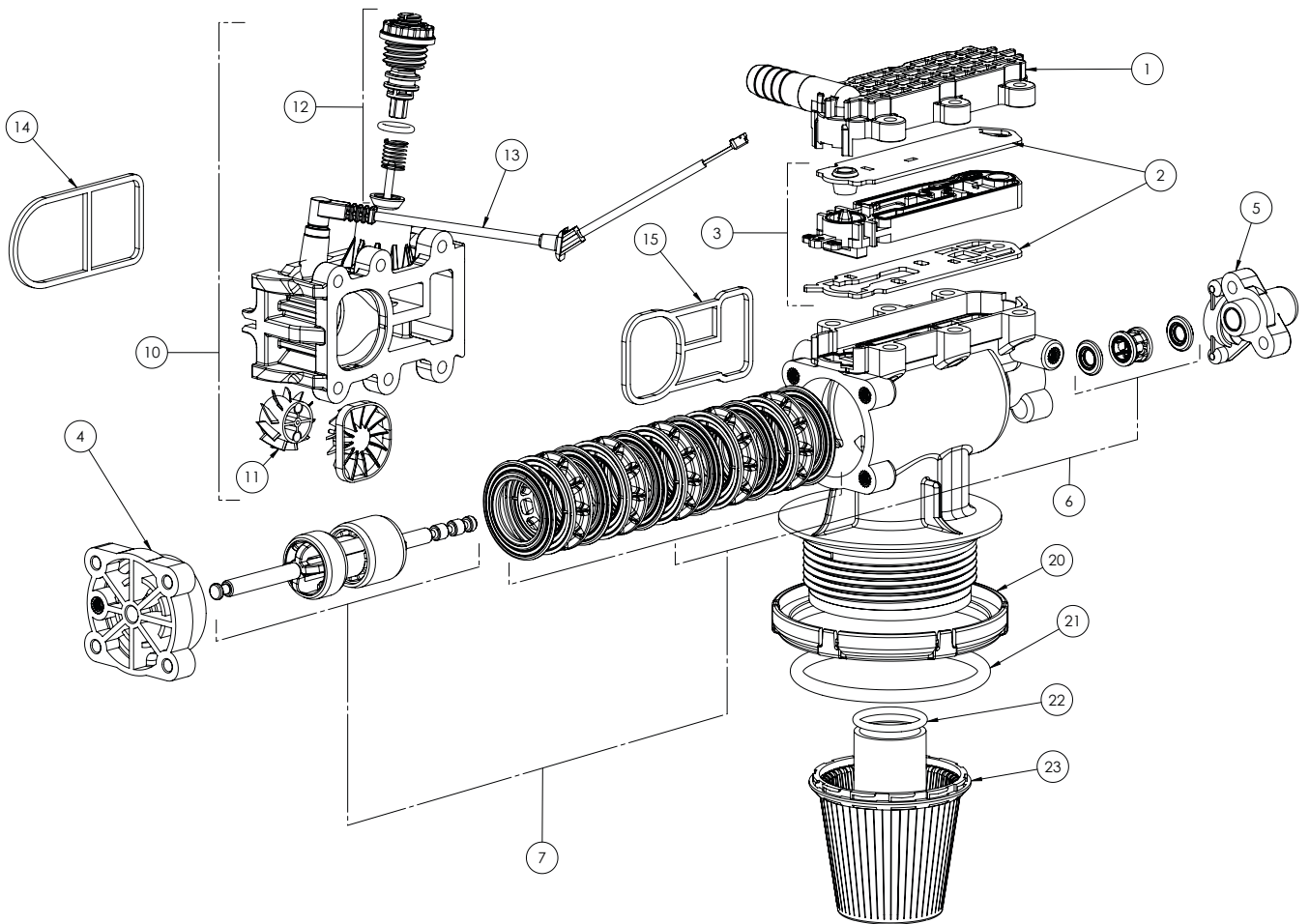


Cappers spare parts list 2022



Ino 20 and SCA19

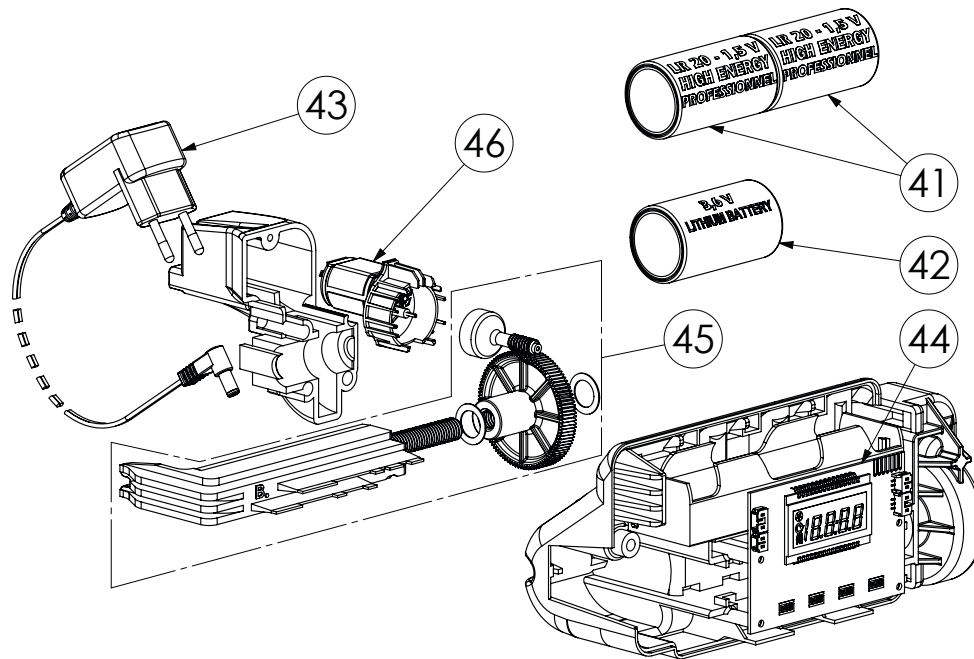


Ino 20 and SCA19

nr	Reference	Search Name	Item Name	€
Valve Body				
1	0427000082	Ca-33-T1-03-B10	Injector Cover (10 p)	
2	0427000067	Kj-34-E0-515	Injector Block Seals Kit	
2	0427000068	Kj-34-E0-633	KTW Injector Block Seals Kit	
3	0427000003	KC-40-D0-552	Kit Injector Block n°1 (Injector Block + upper & lower seal)	
3	0427000038	Kc-40-D0-553	Kit Injector Block n°3 (Injector Block + upper & lower seal)	
3	0427000004	Kc-40-D0-554	Kit Injector Block n°5 (Injector Block + upper & lower seal)	
3	0427000005	KC-40-D0-555	Kit Injector Block n°7 (Injector Block + upper & lower seal)	
3	0427000074	Kc-40-D0-615	Kit Injector Block n°9 (Injector Block + upper & lower seal)	
3	0427000075	Kc-40-D0-672	Filter Injector Block Kit (Injector Block + upper & lower seal)	
4	0427000077	Ka-40-D0-684	Piston plate kit	
5	0427000065	Kr-40-D0-525	Brine connector kit	
6	0427000070	Ke-40-D0-636	Main and brine seals & spacers kit	
6	0427000071	Ki-40-D0-455	Main and brine seals & spacers kit - Hot water	
7	0427000076	Ki-40-D0-632	Main and brine seals & spacers kit - with piston and stems	
Kit *	0427000079	Ke-40-D0-114	Maintenance kit for residential valve	
Meter				
10	0427000061	Ki-40-D0-653	Meter interface kit with JST cable (proport. mixing)	
11	0427000062	Tu-40-D0-620	Turbine assembly	
12	0427000063	Km-40-D0-526	Proportional (spring) mixing device kit	
13	0427000051	Ca-37-D0-369	90° plug meter cable for JST connector boards	
14	0427000010	KJ-34-E0-519	Interface seal kit	
15	0427000009	Kj-34-E0-518	Inlet outlet seal kit	
Tank Connection				
20	0427000064	Ba-33-T1-392	Valve body clip-on ring	
21	0427000011	KJ-34-E0-520	2 1/2" Tank seal (10 p)	
22	0427000072	Kj-34-E0-521	O-ring tube seal Ø 25 mm (10 p)	
22	0427000073	KJ-34-E0-569	O-ring tube seal Ø 27 mm (10 p)	
23	0427000052	Cr-33-T1-66-B06	Top collectors kit Ø 25 mm (6 p)	
23	0427000053	Cr-33-T1-203-B06	Top collectors kit Ø 27 mm (6 p)	
23	0427000054	Cr-33-T1-259-B06	Top collectors kit Ø 25 mm - Hot water (6 p)	
23	0427000055	Cr-33-T1-260-B06	Top collectors kit Ø 27 mm - Hot water (6 p)	

* The kit exists out of number 2 + 4 + 6

Ino 20 and SCA19



Ino 20 and SCA19

nr	Reference	Search Name	Item Name	€
Power head				
41	0427000048	Ba-20-D0-535	LR 20 Alkaline batteries	
42	0427000049	Ba-20-D0-47	Ion-lithium battery	
43	0427000047	EI-38-D0-228	Power supply 5V - 1A (EU plug) - cable 1,5m	
44	0427000045	Ki-40-D0-154	3V Electronic board (battery operated) - JST connectors	
44	0427000046	Ki-40-D0-216	5V Electronic board for power adapter - JST connectors	
45	0427000083	Ki-50-D0-459	Gear Train (Before 2017)	
46	0427000084	Mo-40-D0-659	Motor Assembly With JST Connector	